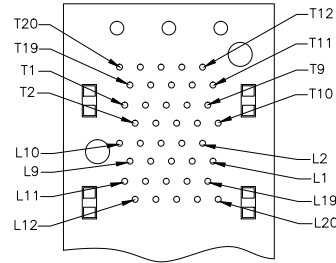
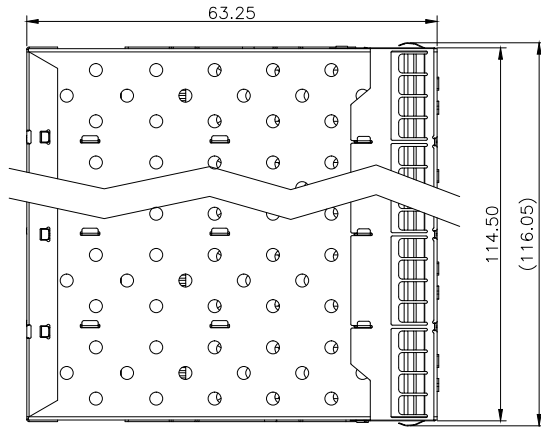
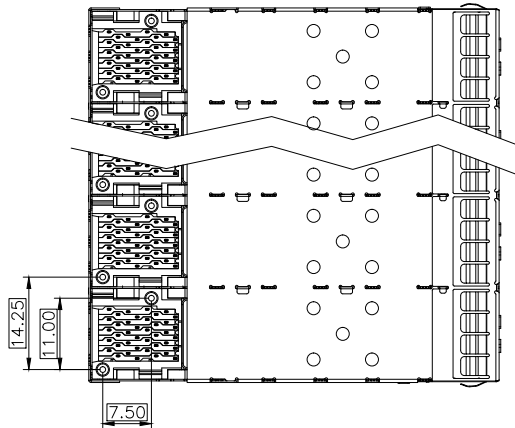
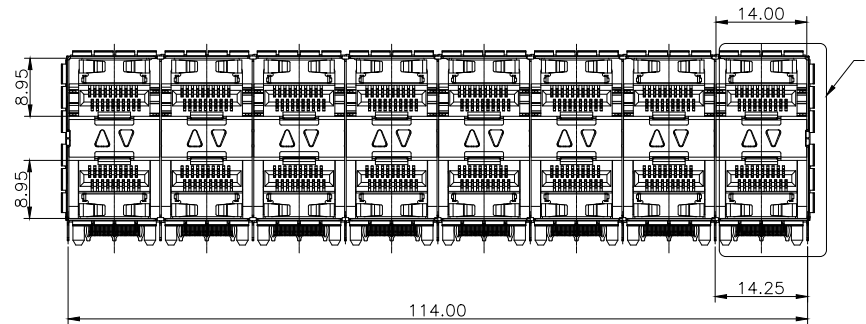
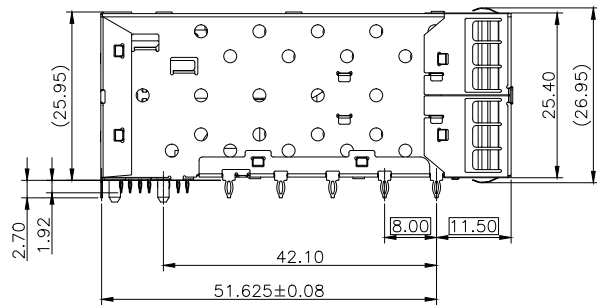
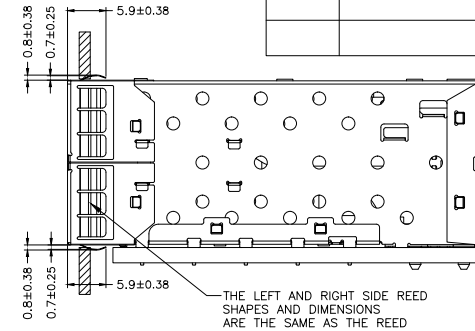




REV:	ECN. NO.	NAME	DATE

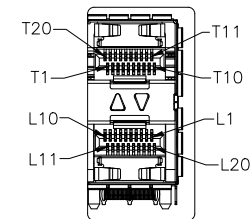


CONNECTOR PIN-OUT  
COMPONENT SIDE OF BOARD



NOTES:

- MATERIAL:  
CAGE: COPPER ALLOY, NI-PLATED
- CONNECTOR:  
PLASTIC HOUSING: HIGH TEMPERATURE LCP, UL94 V-0.  
LIGHT PIPE: POLYCARBONATE; COLOR: CLEAR  
SPRING: STAINLESS STEEL  
CONTACTS: PHOSPHOR BRONZE  
CONTACT PLATING: 15u" MIN. GOLD ON MATING AREA,  
150u" MATTE TIN ON SOLDER TAILS
- PACKAGING: TRAY PACKAGING.
- TEMPERATURE RANGE: -40°C TO +85°C



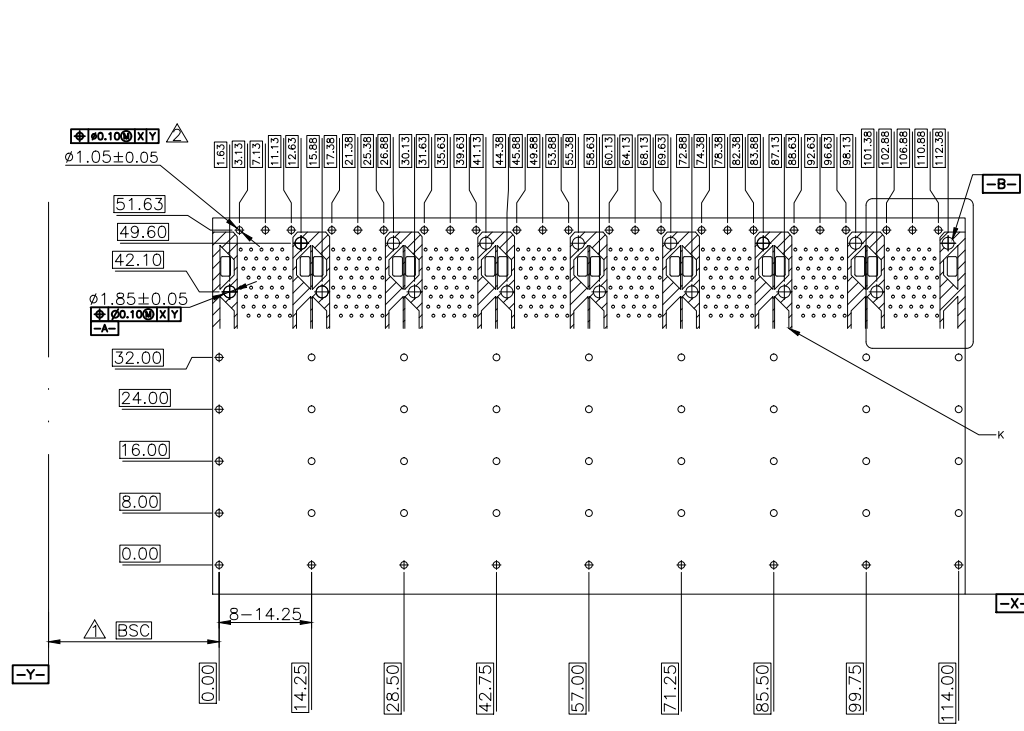
DETAIL A  
1:1

GENERAL TOLERANCE .X±0.20    .X±1° .XX±0.15    .XX±5° .XXX±0.10		<b>VITALCON</b> a vital connector company		FOR YOUR VITAL CONNECTION	
DRAWN BY: Zou Long		TITLE: SFP+ 2X8 CAGE+CONNECTOR		PART NO: S202H23006BA4	
CHECKED BY: Bob		UNIT:mm		REV: A	
APPROVED BY: QPF		PROJECTION		SHEET:1 OF 4	
				FCN: A4	
				http://www.vitalconn.com	

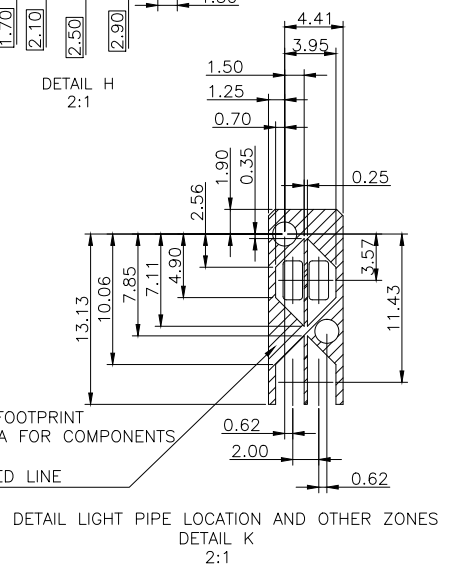
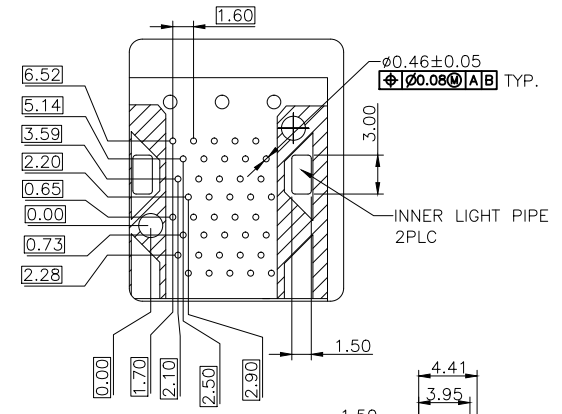
For technical support, please send an email to [support@vitalconn.com](mailto:support@vitalconn.com)



REV:	ECN. NO.	NAME	DATE



- NOTES:
- DATUM AND BASIC DIMENSIONS ESTABLISHED BY CUSTOMER.
  - 1.05 mm DIAMETER HOLES ARE CHASSIS GROUND .

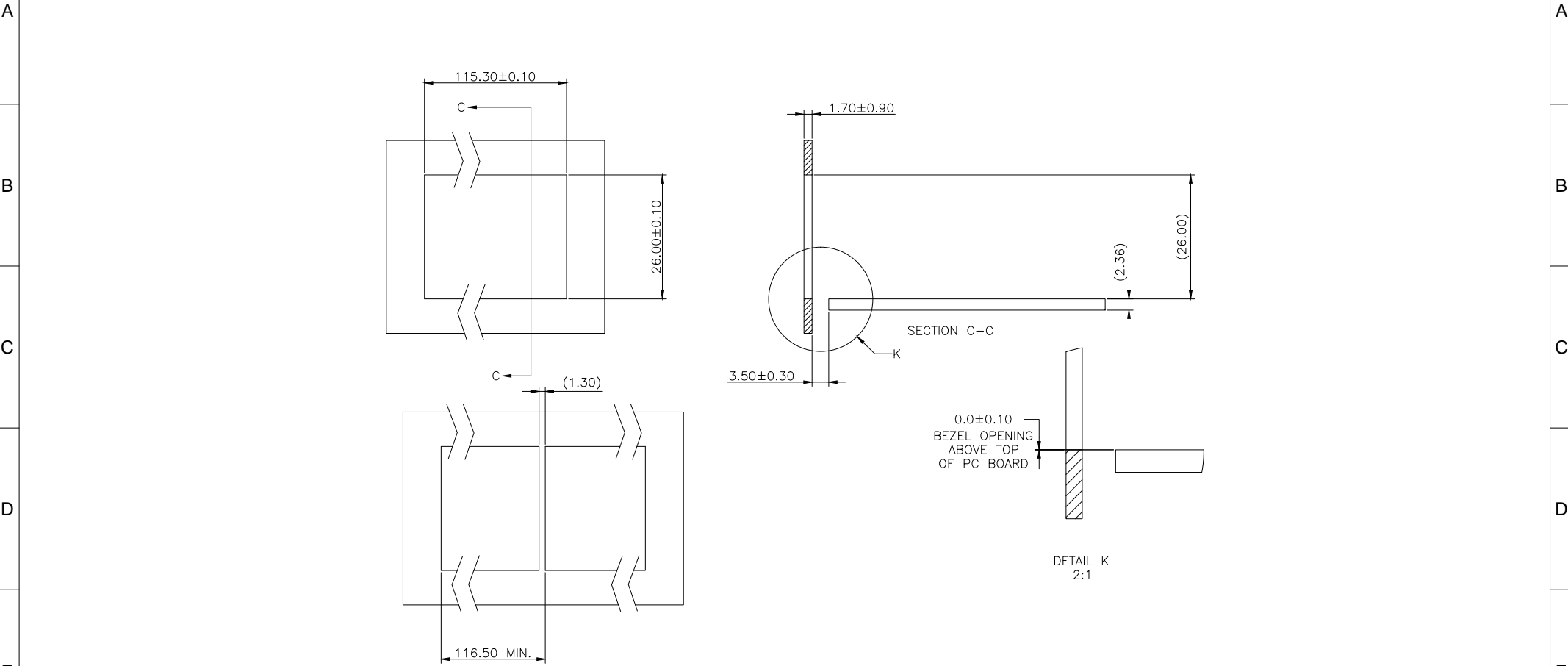


THE ENTIRE AREA OF THE CONNECTOR FOOTPRINT TO BE CONSIDERED THE KEEP OUT AREA FOR COMPONENTS (OTHER THAN LIGHT PIPE LE'S) THIS AREA IS INDICAATED BY THE ADSDHED LINE

GENERAL TOLERANCE .X±0.20 .X±1° .XX±0.15 .XX±5° .XXX±0.10		<b>VITALCON</b> a vital connector company		FOR YOUR VITAL CONNECTION	
DRAWN BY: Zou Long		TITLE: SFP+ 2X8 CAGE+CONNECTOR		PART NO: S202H23006BA4	
CHECKED BY: Bob		UNIT:mm		REV: A	
APPROVED BY: QPF		PROJECTION		SHEET:2 OF 4 FCN: A4	
For technical support, please send an email to support@vitalconn.com				http://www.vitalconn.com	



7		8	
REV:	ECN. NO.	NAME	DATE



RECOMMENDED BEZEL DESIGN

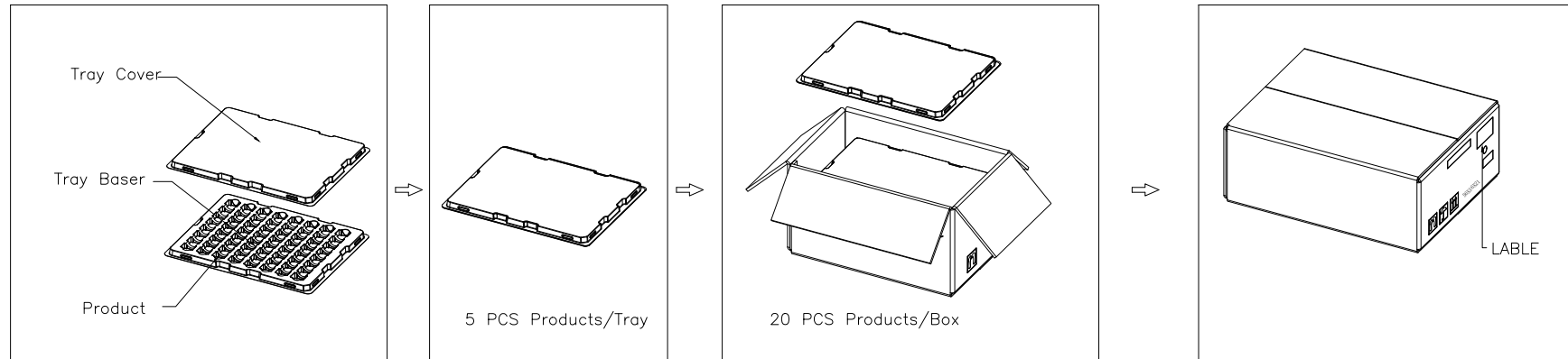
GENERAL TOLERANCE .X $\pm$ 0.20    .X $\pm$ 1° .XX $\pm$ 0.15    .XX $\pm$ 5° .XXX $\pm$ 0.10		<b>VITALCON</b> a vital connector company		FOR YOUR VITAL CONNECTION	
DRAWN BY: Zou Long		TITLE: SFP+ 2X8 CAGE+CONNECTOR		PART NO: S202H23006BA4	
CHECKED BY: Bob		REV: A		UNIT:mm	
APPROVED BY: QPF		SHEET:3 OF 4		FCN: A4	
PROJECTION				<a href="http://www.vitalconn.com">http://www.vitalconn.com</a>	

For technical support, please send an email to [support@vitalconn.com](mailto:support@vitalconn.com)



7		8	
REV:	ECN. NO.	NAME	DATE

PACKAGE INFORMATION AND LABLE



PACKING QUANTITY : 5 PCS FINISHED GOODS PER TRAY

4 TRAYS (20 PCS FINISHED GOODS) PER CARTON BOX

GENERAL TOLERANCE .X±0.20    .X±1° .XX±0.15    .XX±5° .XXX±0.10		<b>VITALCON</b> a vital connector company		FOR YOUR VITAL CONNECTION	
DRAWN BY: Zou Long		TITLE: SFP+ 2X8 CAGE+CONNECTOR		REV: A	
CHECKED BY: Bob		PART NO: S202H23006BA4		FCN: A4	
APPROVED BY: QPF		SIZE: A4		UNIT:mm	
		PROJECTION		SHEET:4 OF 4	
				http://www.vitalconn.com	

For technical support, please send an email to [support@vitalconn.com](mailto:support@vitalconn.com)