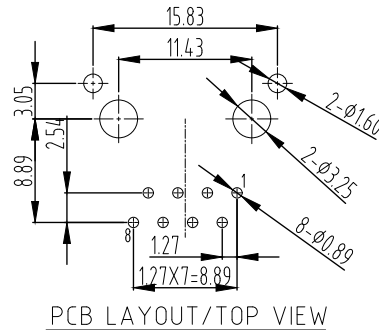
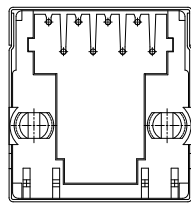
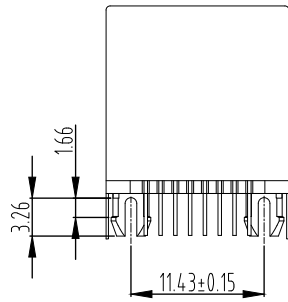
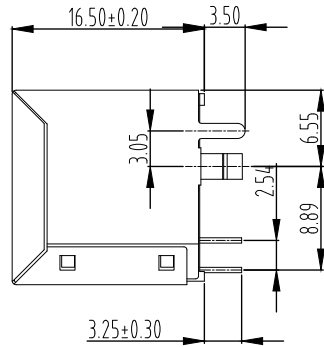
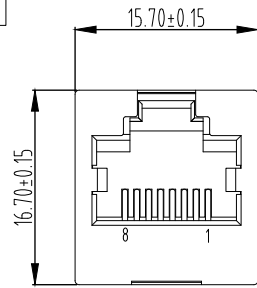




REV:	ECN. NO.	NAME	DATE



NOTES:

MATERIAL:

- 1.HOUSING :GLASS FILLED POLYESTER UL94V-0
- 2.CONTACT (ROUND PIN Ø 0.46mm) :PHOSPHOR BRONZE WITH GOLD PLATING OVER NICKEL.
- 3.SHIELD :0.20mm THICKNESS COPPER ALLOY WITH NICKEL PLATED.

ELECTRICAL:

- 1.VOLTAGE RATING :125V AC.
- 2.CURRENT RATING :1.5AMP.
- 3.CONTACT RESISTANCE :30 MILLIOHMS MAX.
- 4.INSULATION RESISTANCE :500 MEGOHMS MIN @ 500V DC.
- 5.DIELECTRIC WITHSTANDING VOLTAGE :1000V AC RMS 50Hz OR 60Hz. 1MIN.

MECHANICAL:

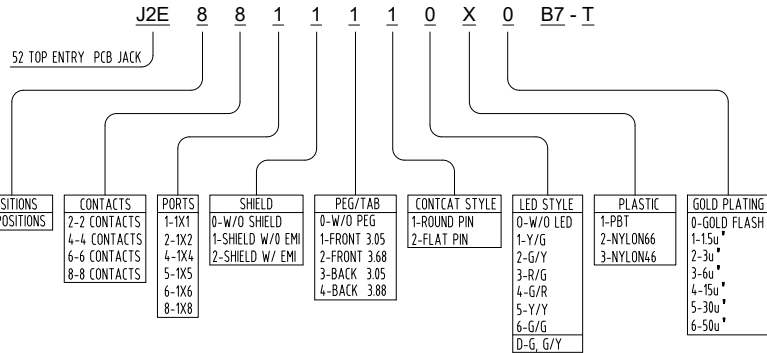
- 1.INSERTION FORCE :2.2Kg MAX.
- 2.RETENTION STRENGTH :7.7Kg BETWEEN JACK AND PLUG
- 3.DURABILITY :750 CYCLES MIN.

ENVIRONMENTAL:

- 1.STORAGE : -40°C ~85°C.
- 2.OPERATION : -40°C TO 85°C.

THE MARTS MODULAR PLUG CONFORMAING TO FCC PART68

PART NUMBER:



特殊规格, 料号不能表示, 在后面附加T以示区别

MM (INCH)		VITALCON a vital connector company		FOR YOUR VITAL CONNECTION	
TOLERANCES EXCEPT AS NOTED		TITLE: RJ45 1*1 Vertical W/O LEDs W/O EMI			
MM .0 ±0.20 .00±0.15 .000±0.05	± ± ±	DRAWN BY: Zou Long		PART NO: J2E8811110X0B7-T	
ANGLES ± 0.50°		CHECKED BY: Bob		UNIT:mm	SHEET:1 OF 1
APPROVED BY: QPF		SIZE: A4	FCN: B7	http://www.vitalconn.com	
PROJECTION					

For technical support, please send an email to support@vitalconn.com