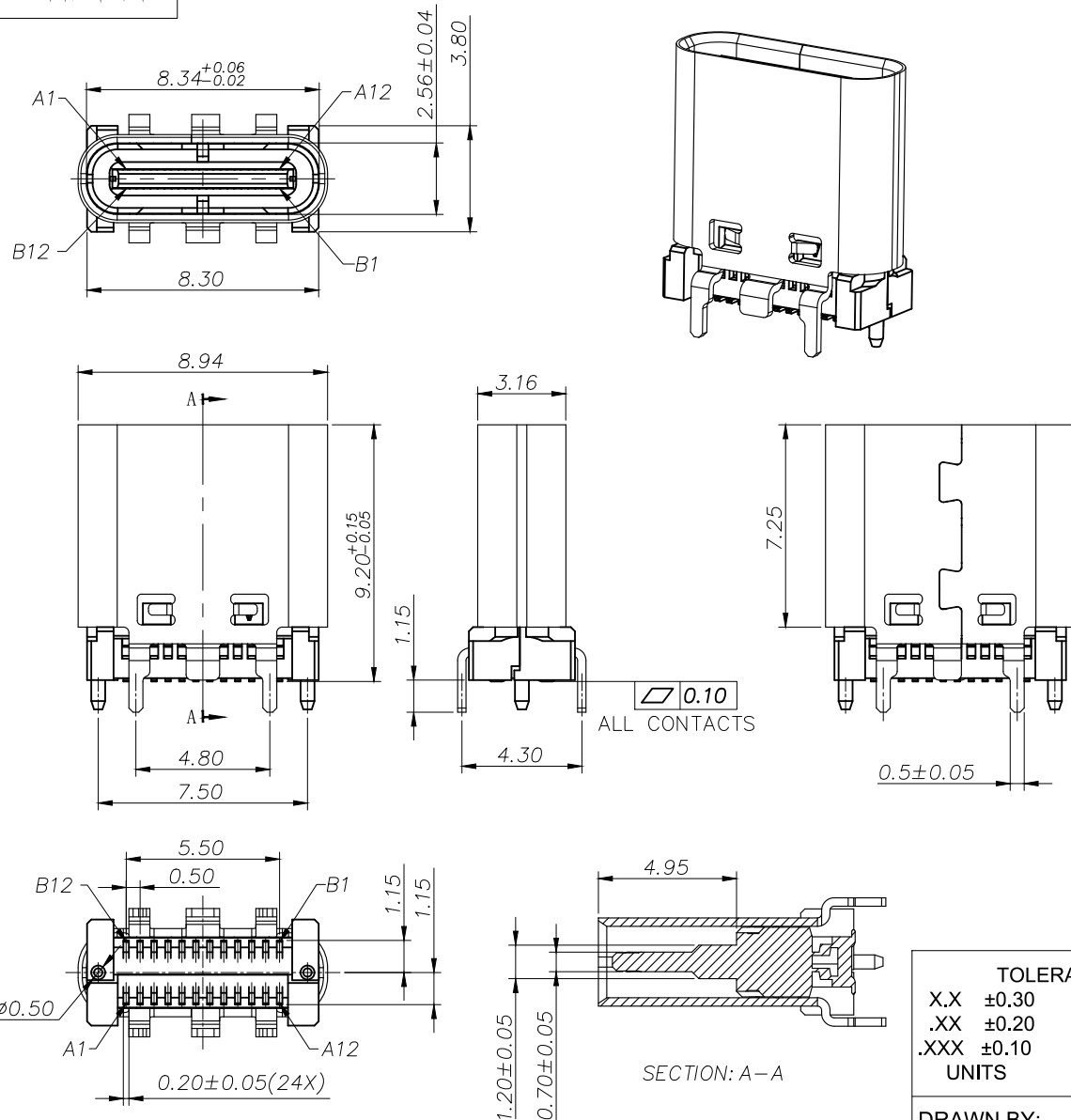




REV:	ECN. NO.	NAME	DATE



NOTE:

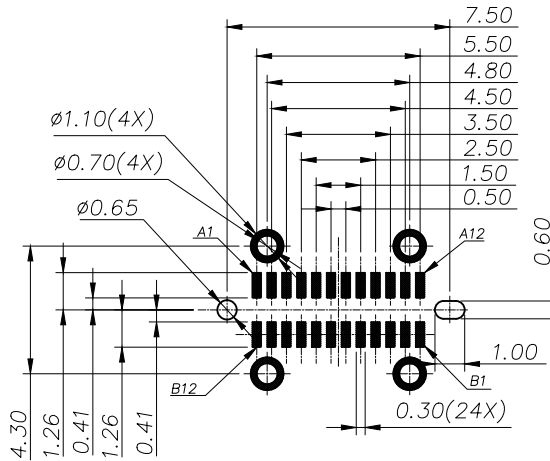
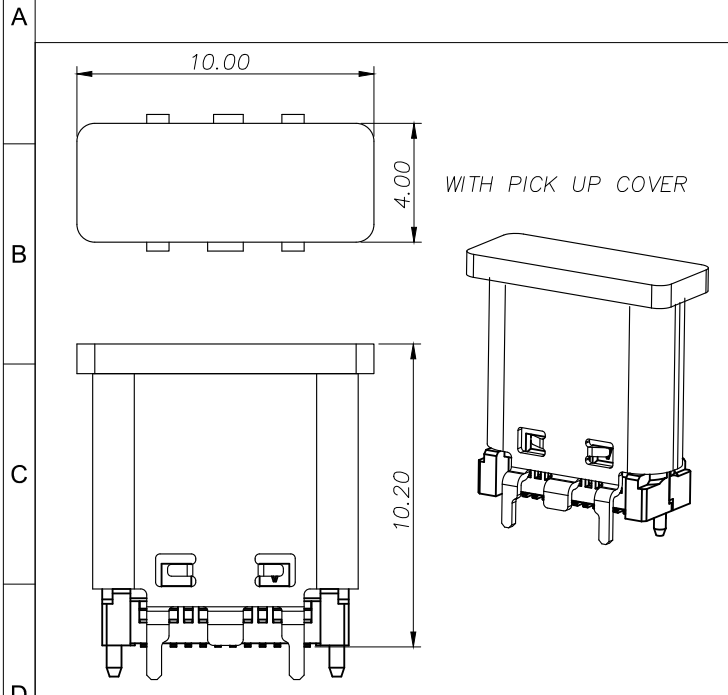
- MATERIAL SPECIFICATION:**
 - HOUSING: HIGH TEMPERATURE RESISTANT PLASTIC, UL94 V-0
 - TERMINAL: COPPER ALLOY (C1814)
 - MID PLATE: STAINLESS STEEL (SUS301)
 - FRONT SHELL: STAINLESS STEEL (SUS304)
 - EMI PLATE: STAINLESS STEEL (SUS304)
- PLATING SPECIFICATION:**
 - TERMINAL:
 - Ni 50u" MIN. UNDER PLATED OVER ALL.
 - Au PLATED ON THE FUNCTIONAL AREA OF CONTACT.
 - (GOLD PLATING THICKNESS FOLLOW THE P/N)
 - PLATING SPECIFICATIONS OF THE SOLDER AREA FOLLOW THE P/N
 - FRONT SHELL:
 - PLATING SPECIFICATIONS FOLLOW THE P/N
 - MID PLATE & EMI PLATE:
 - CLEAR ONLY
- MECHANICAL PERFORMANCE,**
 - INSERTION FORCE: 0.5~2.0kgf.
 - REMOVAL FORCE: 0.8kgf~2.0kgf.
 - DURABILITY: 10000 CYCLES.
- ELECTRICAL PERFORMANCE,**
 - VOLTAGE RATING: 5 V DC/AC (RMS. max)
CURRENT RATING: 5 AMPS. FOR TOTAL VBUS/GND PINS;
1.25AMPS FOR CC PIN, 0.25 AMPS. FOR ALL OTHER CONTACT.
 - LLCR:
 - VBUS & GND PINS AND OTHER PINS: 40mΩ/PIN MAX.
 - SHIELD: 50mΩ/MAX.
 - LLCR MAX. CHANGE OF ALL PINS: 10mΩ
 - INSULATION RESISTANCE: 100MΩ MIN
 - DIELECTRIC WITHSTAND VOLTAGE, AC 100V FOR 1 MINUTE.
- ENVIRONMENTAL PERFORMANCE:**
 - OPERATING TEMPERATURE: -25°C~+85°C.
- IR REFLOW:**
 - THE PEAK TEMPERATURE ON THE BOARD SHALL BE MAINTAINED FOR 10 SECONDS AT 260°C.

TOLERANCE		VITALCON		FOR YOUR VITAL CONNECTION	
X.X ±0.30	X.° ±10°	a vital connector company		TITLE: USB CF VERTICAL (L=9.2)	
.XX ±0.20	.X° ±8°				
.XXX ±0.10	.XX° ±5°	DRAWN BY: Zou Long		PART NO: UC32-3E1H1A003-0HR-14	REV: A
UNITS	mm	CHECKED BY: Bob		SIZE: A4	UNIT:mm
SECTION: A-A		APPROVED BY: QPF		PROJECTION	SHEET: 1 OF 3
				FCN: F9	http://www.vitalconn.com

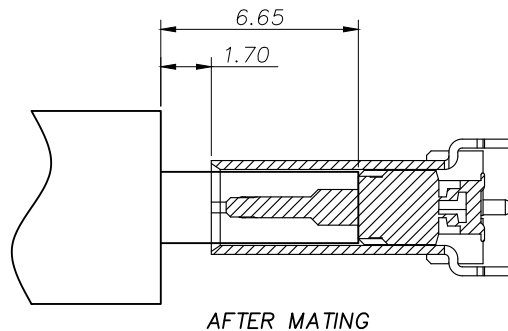
For technical support, please send an email to support@vitalconn.com



REV:	ECN. NO.	NAME	DATE



RECOMMENDED PCB LAYOUT(TOP VIEW)
THICKNESS 1.0±0.10MM;DEFAULT TOLERANCE:±0.05



USB TYPE-C PIN ASSIGNMENTS

PIN NUMBER	SIGNAL NAME	PIN NUMBER	SIGNAL NAME
A1	GND	B12	GND
A2	SSTXp1	B11	SSRXp1
A3	SSTXn1	B10	SSRXn1
A4	Vbus	B9	Vbus
A5	CC1	B8	SBU2
A6	Dp1	B7	Dn2
A7	Dn1	B6	Dp2
A8	SBU1	B5	CC2
A9	Vbus	B4	Vbus
A10	SSRXn2	B3	SSTXn2
A11	SSRXp2	B2	SSTXp2
A12	GND	B1	GND

P/N: UC32-3E1H1A003-0HR-14

HOUSING MATERIAL
A: LCP
E: PA9T

HOUSING COLOR
1: BLACK
2: WHITE
5: NATURE

SHELL MATERIAL
H: SUS304

SHELL PLATING
1: Ni
2: MATT-Sn
3: BRIGHT-Sn
4: SELECTIVE-Au 1u"

CONTACT FUNCTIONAL AREA PLATED
01: Au 1u"
03: Au 3u"
15: Au 15u"
30: Au 30u"

CONTACT SOLDER AREA PLATED
0: Sn
1: Au 1u"

CONTACT MATERIAL
A: C1815
K: C7025

TOLERANCE	
X.X ±0.30	X.° ±10°
.XX ±0.20	.X.° ±8°
.XXX ±0.10	.XX.° ±5°
UNITS	mm



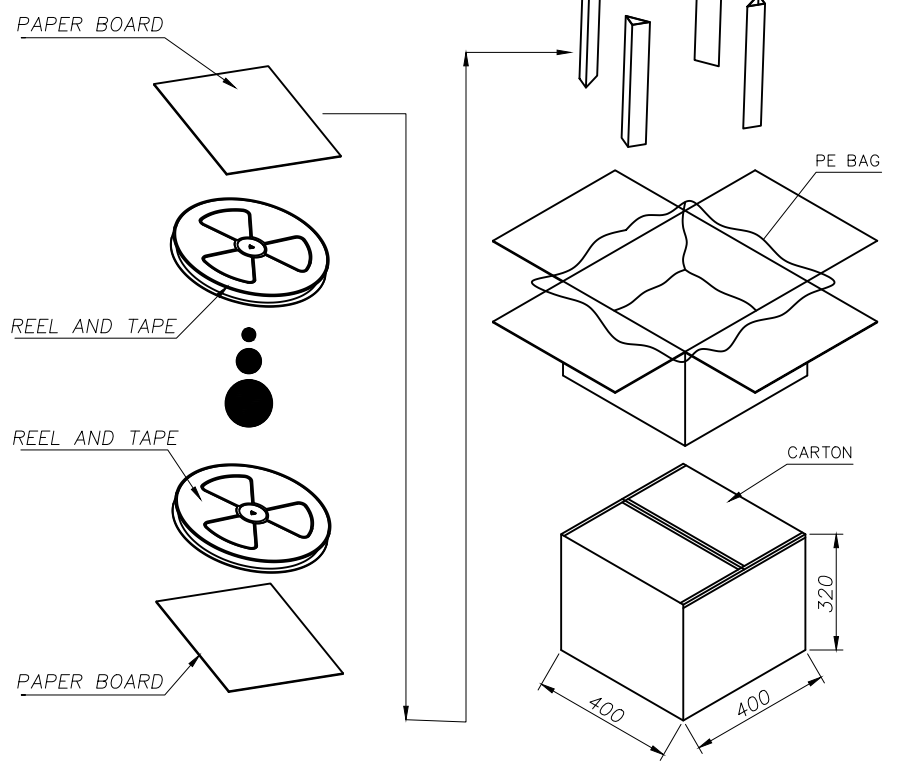
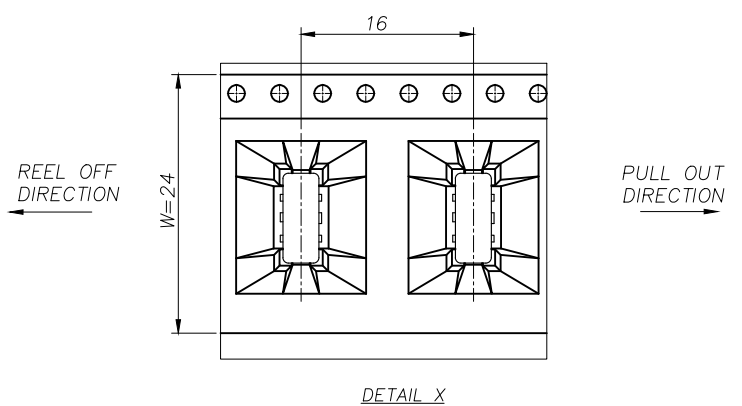
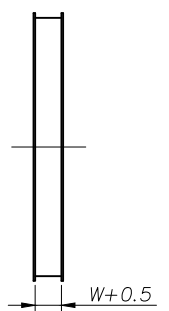
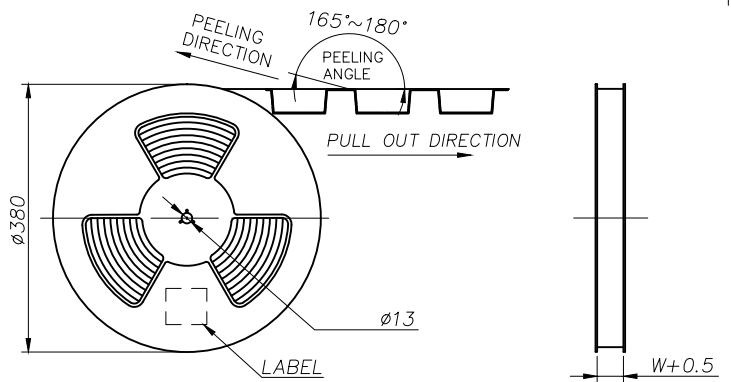
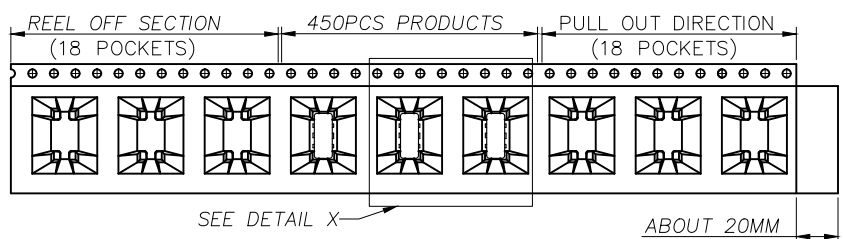
FOR YOUR VITAL CONNECTION

TITLE:	USB CF VERTICAL(L=9.2)		
DRAWN BY:	Zou Long	PART NO:	UC32-3E1H1A003-0HR-14
CHECKED BY:	Bob	SIZE: A4	UNIT:mm
APPROVED BY:	QPF	PROJECTION	http://www.vitalconn.com

For technical support, please send an email to support@vitalconn.com



REV:	ECN. NO.	NAME	DATE



	REEL/TRAY	CARTON
CONNECTOR (PCS)	450	4500

TOLERANCE X.X ±0.30 X.° ±10° .XX ±0.20 .X° ±8° .XXX ±0.10 .XX° ±5° UNITS mm		VITALCON a vital connector company		FOR YOUR VITAL CONNECTION	
TITLE:		USB CF VERTICAL(L=9.2)			
DRAWN BY:	Zou Long	PART NO:	UC32-3E1H1A003-0HR-14	REV: A	
CHECKED BY:	Bob	SIZE: A4	UNIT:mm	SHEET:3 OF 3	FCN: F9
APPROVED BY:	QPF	PROJECTION		http://www.vitalconn.com	

For technical support, please send an email to support@vitalconn.com