

REV:	ECN. NO.	NAME	DATE

Specification

Material

Plastic Housing: LCP 30%GF. UL94V-0, Black
 Contact Terminal: Phosphor Bronze. T=0.15mm
 Cover: SUS304, T=0.15mm

Plating:

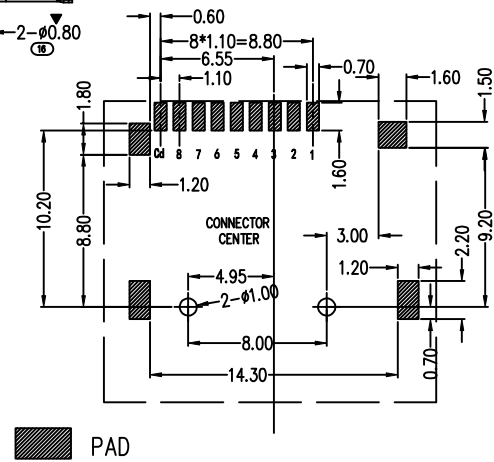
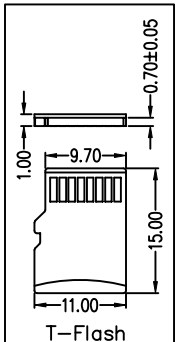
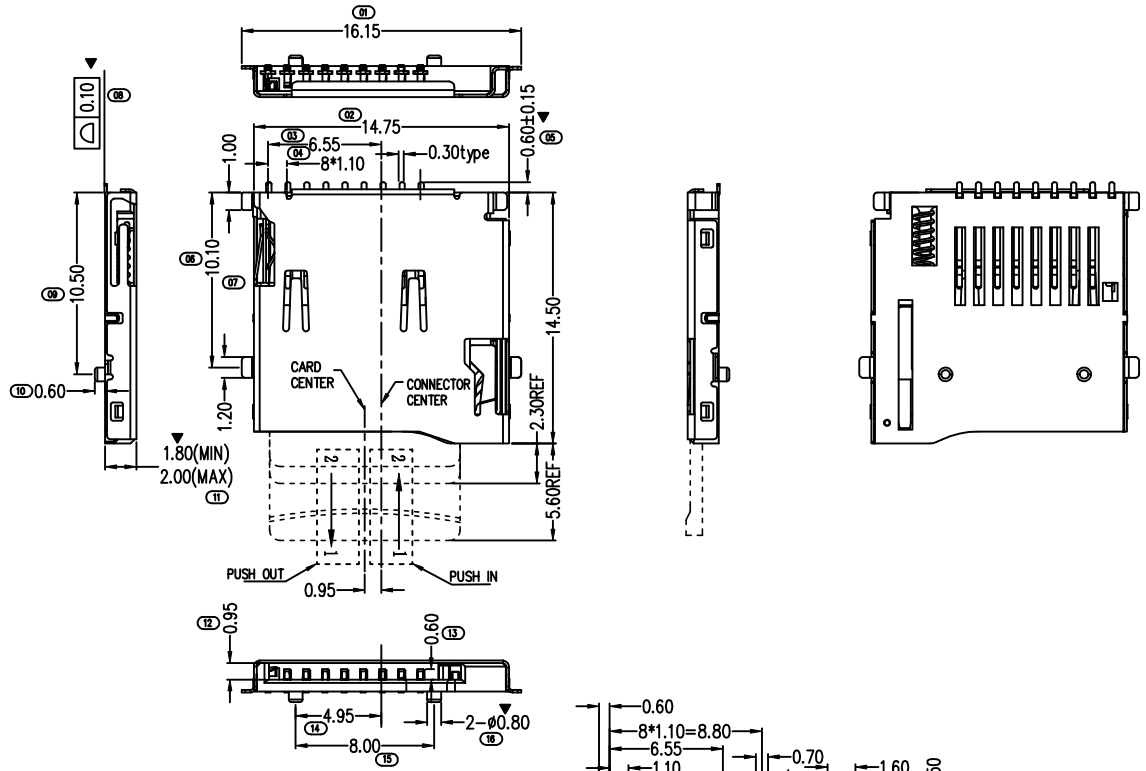
Contact Terminal
 Contact Area: Gold Flash
 Solder area: Tin 80u" min.
 Underplating: Ni overall 30u" min.
 Cover: Ni overall 30u" min.

Electrical

Voltage Rating: 30V max.
 Current Rating: 0.5A max.
 Dielectric Withstanding Voltage: 100V AC (60 Sec min.)
 Insulation Resistance: 1000 MA min.
 Contact Resistance: 100 mh max.

Mechanica & Environmental

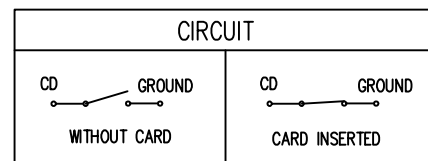
Operating Temperature: -40°C to +85°C
 Durability: 5000 cycles



RECOMMENDED P.C.B HOLE LAYOUT
 COMPONENT SIDE VIEW(TOLERANCE: +/-0.05)

For technical support, please send an email to support@vitalconn.com

RoHS Compliant



PIN NO.	NAME	TYPE	DESCRIPTION
1	DAT2	I/O/PP	DATE LINE(BIT2)
2	CD/DAT3	I/O/PP	CARD DETECT DATE LIN(BIT3)
3	CMD	PP	COMMAND RESPONSE
4	VDD	S	SUPPLY VOLTAGE
5	CLX	I	CLOCK
6	VSS	S	SUPPLY VOLTAGE GROUND
7	DAT0	I/O/PP	DATE LINE(BIT0)
8	DAT1	I/O/PP	DATE LINE(DIT1)

TOLERANCE UNSPECIFIED	
.0	±0.38
.00	±0.25
.000	±0.10
ANGLE	±3.00°
MANUFACTURING COPY	



FOR YOUR VITAL CONNECTION

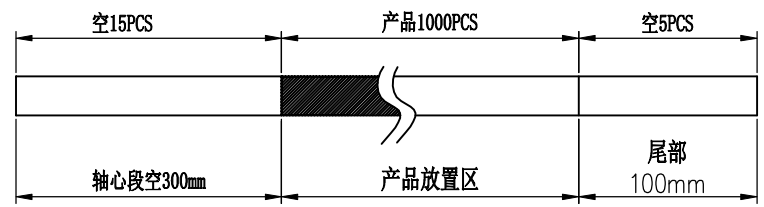
TITLE:	T-FLASH 外焊卡座(带双弹片)		
DRAWN BY:	QSY	PART NO:	VTC102010862
CHECKED BY:	VIT	SIZE: A4	UNIT:mm
APPROVED BY:	QPF	PROJECTION	http://www.vitalconn.com

普通包装规范

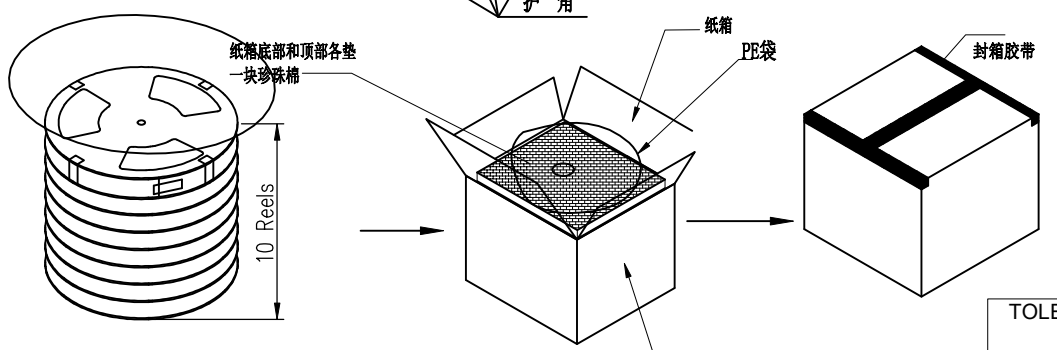
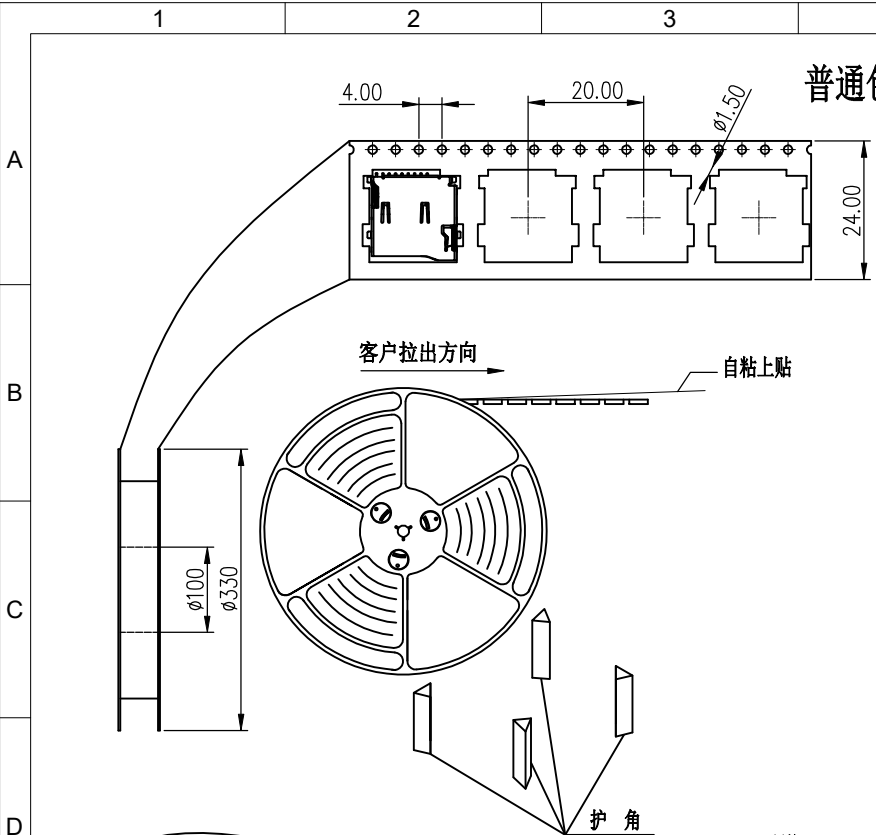
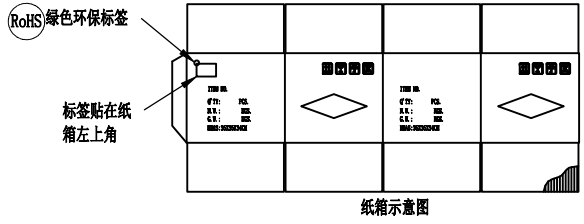
7	8
REV:	ECN. NO.
NAME	DATE

NOTES

1. 每卷包装数量: 1000PCS/每卷
2. 卷带包装方式:



3. 每箱包装数量: 10000PCS/箱



将10卷产品放入箱内

RoHS Compliant

TOLERANCE UNSPECIFIED		VITALCON a vital connector company		FOR YOUR VITAL CONNECTION	
.0	±0.38	TITLE:		T-FLASH 外焊卡座(带双弹片)	
.00	±0.25	PART NO:		VTC102010862	REV: A
.000	±0.10	CHECKED BY:		VIT	SIZE: A4
ANGLE	±3.00°	APPROVED BY:		QPF	UNIT:mm
MANUFACTURING COPY		PROJECTION			SHEET: 2 OF 2
DRAWN BY: QSY		FCN: E1		http://www.vitalconn.com	

For technical support, please send an email to support@vitalconn.com