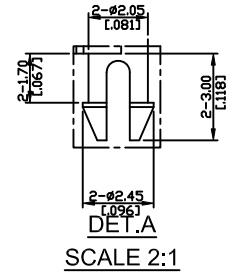
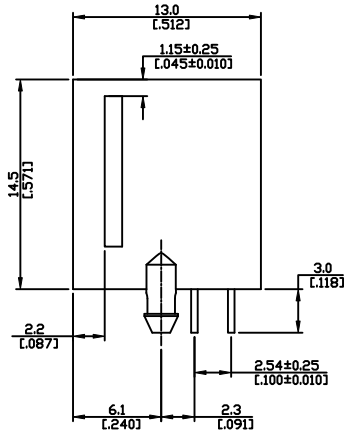
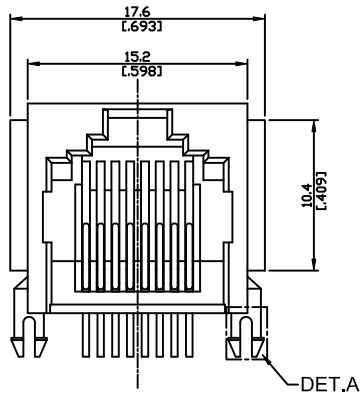


REV:	ECN. NO.	NAME	DATE



Electrical Characteristics :
 Insulation Resistance : 500MΩ Min.
 Contact Resistance : 30mΩ Max.
 Withstand Voltage : 1000 VAC 1 minute.
 Current Rating : 1.5A

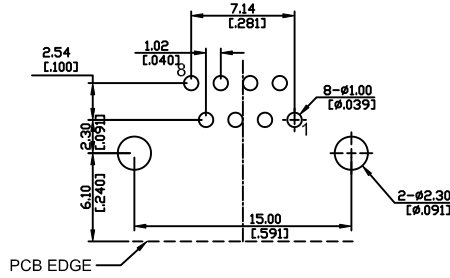
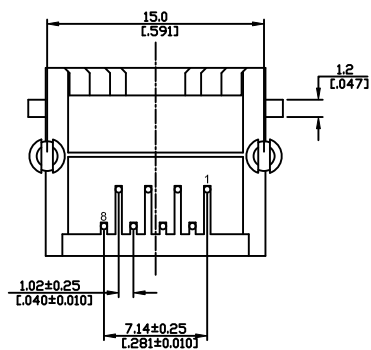
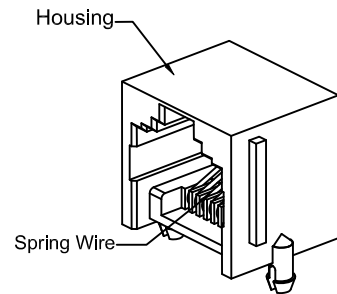
Material:
 Housing : Thermoplastic UL94V-0
 Contact : Full Gold Plating
 Spring Wire : Dia 0.45mm Copper Alloy
 Optional Gold Plating Over Nickel

PART NO :

JW112A0XUXC7

HOUSING : P—PBT BLACK
 N—NY6T BLACK
 L—LCP BLACK

PLATING:
 1—GOLD PLATED 1U"
 2—GOLD PLATED 3U"
 3—GOLD PLATED 6U"
 4—GOLD PLATED 15U"



RECOMMENDED PCB LAYOUT
 TOP VIEW
 TOLERANCE:±0.05mm
 PCB THICKNESS: 1.60±0.05mm

RoHS Compliant

TOLERANCE UNSPECIFIED .0 ±0.38 .00 ±0.25 .000 ±0.10 ANGLE ±3.00° MANUFACTURING COPY				FOR YOUR VITAL CONNECTION	
TITLE: RJ45, Unshielded, Receptacle, Horizontal, Single Port, Tht					
DRAWN BY: Zou Long	PART NO: JW112A0XUXC7	REV: A			
CHECKED BY: Bob	SIZE: A4	UNIT:mm	SHEET: 1 OF 1	FCN: C7	
APPROVED BY: QPF	PROJECTION		http://www.vitalconn.com		